

**PRODUCT NEWS FOR LOADERS**

Improves loader operators visibility  
Saves on couplings and installation time

## COMPACT ATTACHMENT VALVE SVL



**NIMCO**  
**NIMCO**  
**NIMCO**  
**CONTROLS**

RELIABILITY FROM QUALITY

Page 3	General Information
Page 4-5	Technical Data
Page 6-7	Application
Page 8	Dimensional Drawings - SVL-300
Page 9	Hydraulic Schematic - SVL-300
Page 10	Dimensional Drawings - SVL-400
Page 11	Hydraulic Schematic - SVL-400
Page 12	Dimensional Drawings - SVL-300/400
Page 13	Hydraulic Schematic - SVL-300/400
Page 14-15	Installation SVL-300/400
Page 16	Ordering Code



The SVL Compact Attachment valves are designed to be assembled on the cross beam of an agricultural loader. Through their special design they will combine standard and auxiliary functions that otherwise would have to be combined by a number of different valves while allowing for improved load visibility by the tractor operator.

The SVL-300 works as a central connecting point for all hoses from the loader valve which keeps all plumbing assembled close to the tractor. The SVL can also offer the control and plumbing to auxiliary functions, as needed.

The standard version of the valve (SVL-300-1) offers an integrated 6/2 circuit selector valve operation of a third machine function and two cross-over relief valves to protect the bucket circuit of a loader.

The SVL-300-1 can also be combined with an additional 6/2 circuit selector valve for the electrical operation of a fourth machine function. Through the possibility to mount the fourth function valve directly on to the SVL-300-1, the valve package remains small and keeps the visibility at an optimal level.

An added feature is the possibility to connect an accumulator for a more comfortable ride directly to the valve. The accumulator for the soft ride function can be activated either manually (SVL-300-2) or by an electrical 12 or 24-volt valve (SVL-300-3). The possibility to attach a fourth function valve like the SVL-400-1 is also given here.

The SVL valve also offers the possibility to attach a tool lock valve to the valve block.

The SVL series is available with BSP, SAE and metric threads.

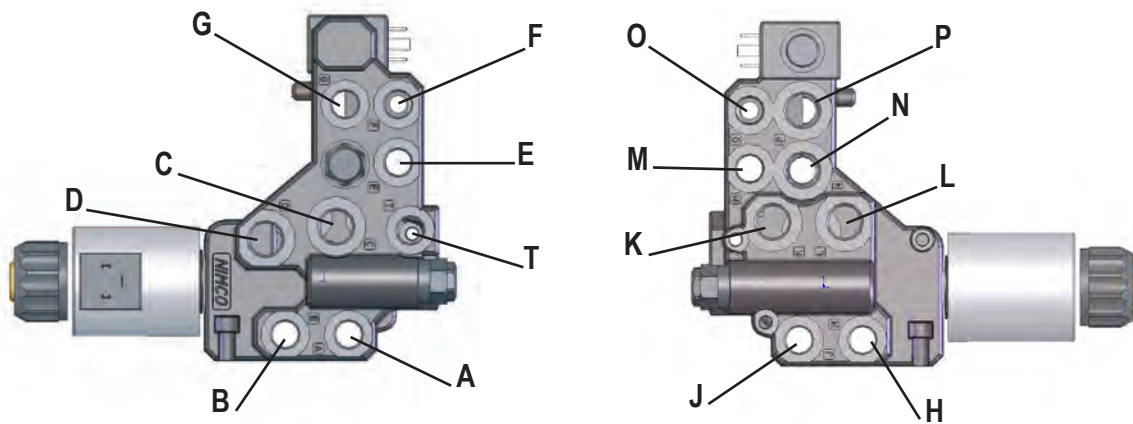
## TECHNICAL DATA

### SVL-300

<b>Rated Pressure</b>	<b>bar</b>	<b>psi</b>
	280	4060
<b>Rated Flow</b>	<b>l/min</b>	<b>USgpm</b>
	90	23.8
<b>Secondary Valves</b>	<b>Yes</b>	
<b>Temperature Range</b>	<b>°C</b>	<b>°F</b>
Standard seals	-40 to +95	-40 to +203

### Port Connection

<b>T</b>	Tank BSP G $\frac{3}{8}$ " SAE 6 Metric M16x1.5	<b>H</b>	Tilt cylinder (right side) BSP G $\frac{3}{8}$ " SAE 6 Metric M16x1.5
<b>A</b>	Tilt cylinder (left side) BSP G $\frac{3}{8}$ " SAE 6 Metric M16x1.5	<b>J</b>	Tilt cylinder (right side) BSP G $\frac{3}{8}$ " SAE 6 Metric M16x1.5
<b>B</b>	Tilt cylinder (left side) BSP G $\frac{3}{8}$ " SAE 6 Metric M16x1.5	<b>K</b>	Tilt function in from loader valve BSP G $\frac{1}{2}$ " SAE 8 Metric M18x1.5
<b>C</b>	3:rd function BSP G $\frac{1}{2}$ " SAE 8 Metric M18x1.5	<b>L</b>	Tilt function in from loader valve BSP G $\frac{1}{2}$ " SAE 8 Metric M18x1.5
<b>D</b>	3:rd function BSP G $\frac{1}{2}$ " SAE 8 Metric M18x1.5	<b>M</b>	Lift Cylinder (right side) BSP G $\frac{3}{8}$ " SAE 6 Metric M16x1.5
<b>E</b>	Lift cylinder (left side) BSP G $\frac{3}{8}$ " SAE 6 Metric M16x1.5	<b>N</b>	Lift function in from loader valve BSP G $\frac{1}{2}$ " SAE 8 Metric M18x1.5
<b>F</b>	Lift cylinder (left side) BSP G $\frac{3}{8}$ " SAE 6 Metric M16x1.5	<b>O</b>	Lift cylinder (right side) BSP G $\frac{3}{8}$ " SAE 6 Metric M16x1.5
<b>G</b>	Optional accumulator port BSP G $\frac{3}{8}$ " SAE 6 Metric M16x1.5	<b>P</b>	Lift function in from loader valve BSP G $\frac{1}{2}$ " SAE 8 Metric M18x1.5



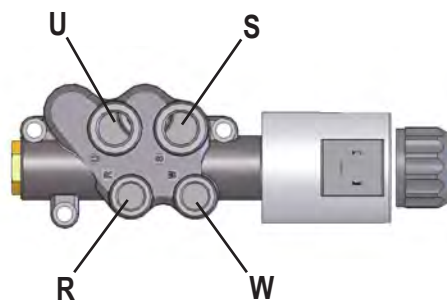
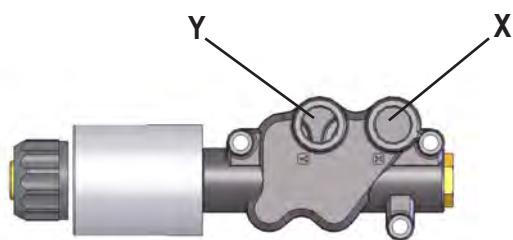
**SVL-400**

<b>Rated Pressure</b>	<b>bar</b>	<b>psi</b>
	280	4060
<b>Rated Flow</b>	<b>l/min</b>	<b>USgpm</b>
	90	23.8
<b>Temperature Range</b>	<b>°C</b>	<b>°F</b>
Standard seals	-40 to +95	-40 to +203

**Port Connection**

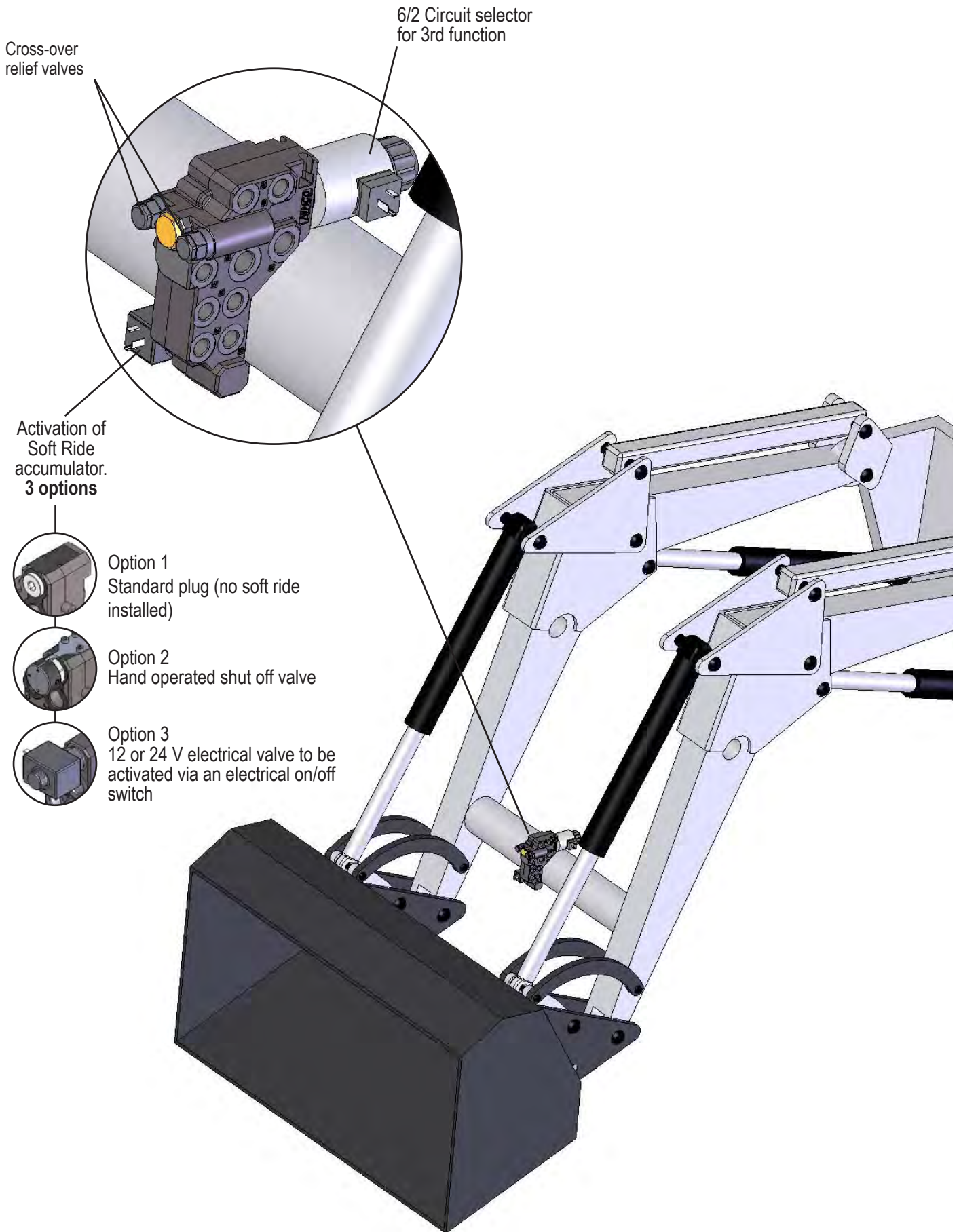
**X** mounted to K port from SVL-300  
**Y** mounted to L port from SVL-300

**W** 4th function  
*BSP G<sup>3</sup>/<sub>8</sub>" SAE 6 Metric M16x1.5*  
**R** 4th function  
*BSP G<sup>3</sup>/<sub>8</sub>" SAE 6 Metric M16x1.5*  
**S** Tilt function in from loader valve  
*BSP G<sup>1</sup>/<sub>2</sub>" SAE 8 Metric M18x1.5*  
**U** Tilt function in from loader valve  
*BSP G<sup>1</sup>/<sub>2</sub>" SAE 8 Metric M18x1.5*



**APPLICATION**

**SVL-300**

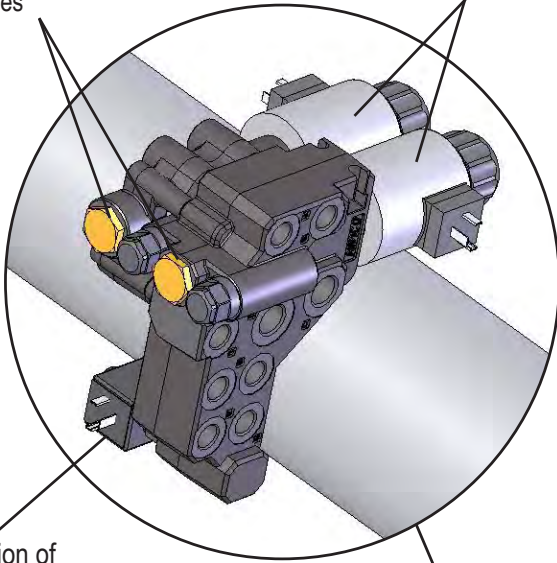


## APPLICATION

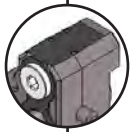
### SVL-300 MOUNTED WITH THE SVL-400

Cross-over  
relief valves

6/2 Circuit selector  
for 3rd and 4th function



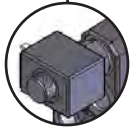
Activation of  
Soft Ride  
accumulator.  
**3 options**



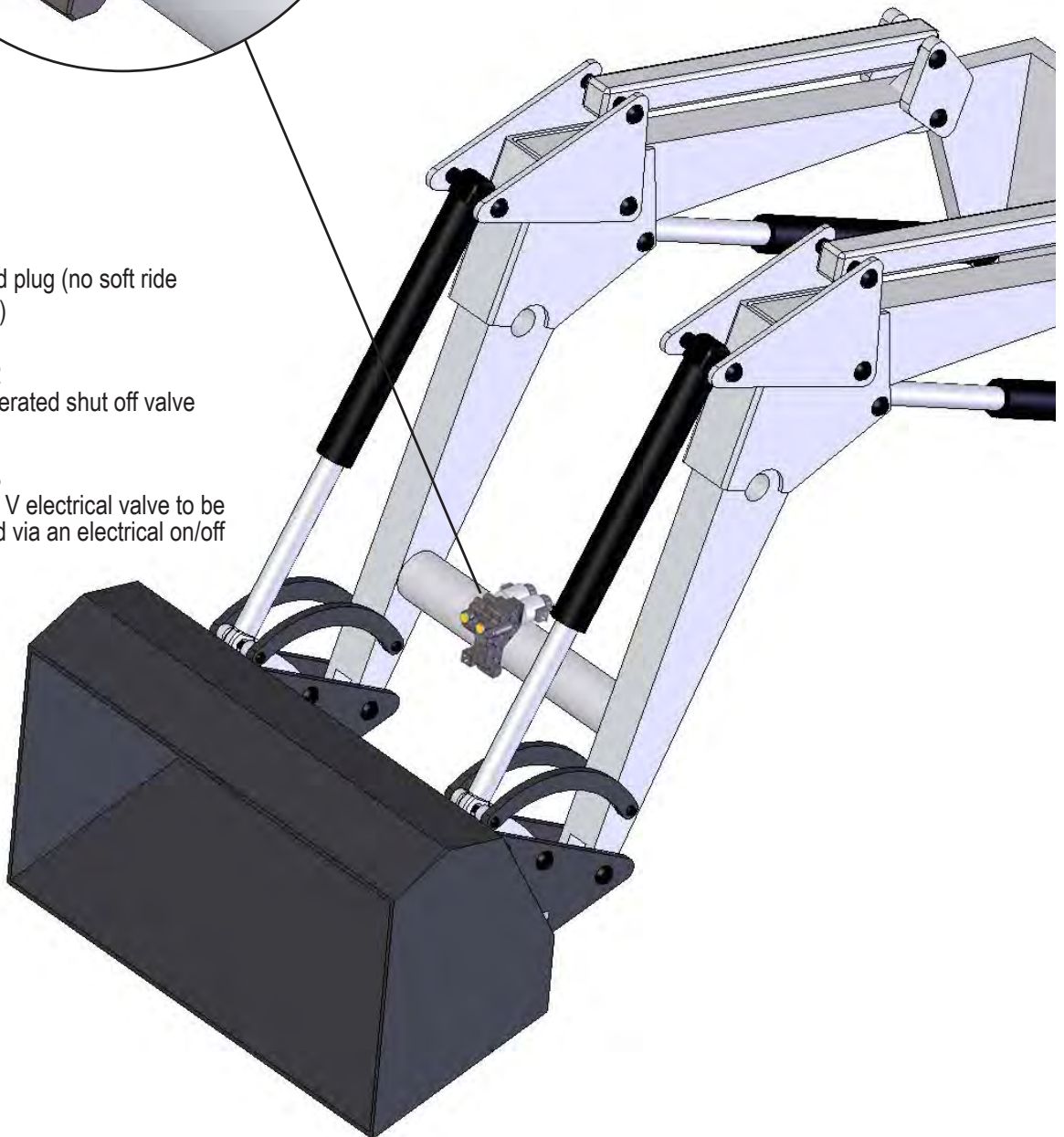
Option 1  
Standard plug (no soft ride  
installed)



Option 2  
hand operated shut off valve



Option 3  
12 or 24 V electrical valve to be  
activated via an electrical on/off  
switch

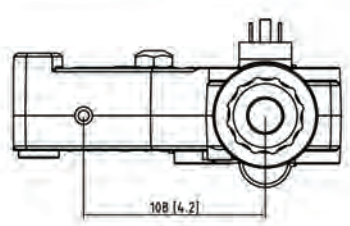
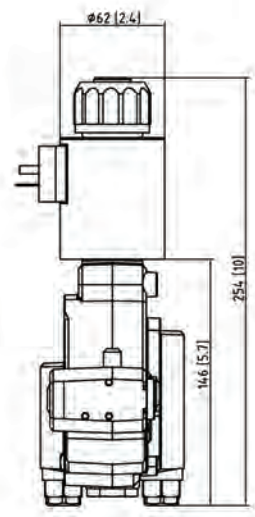
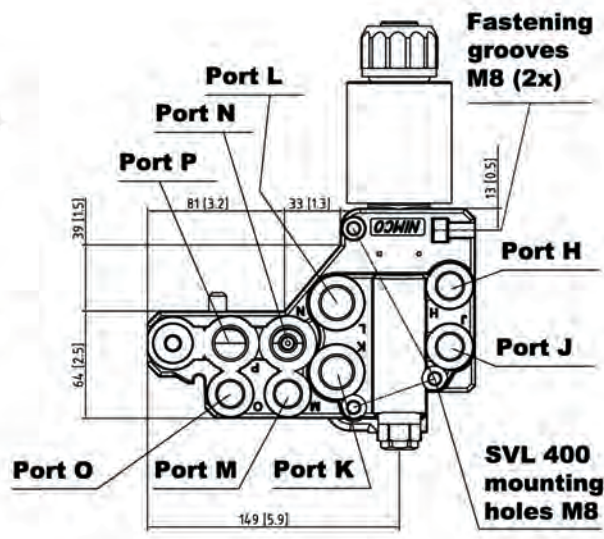
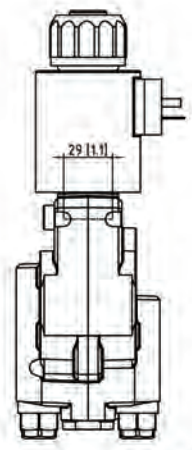
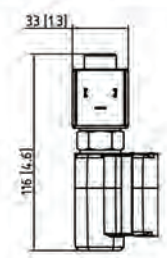
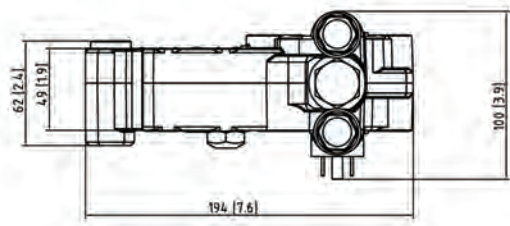
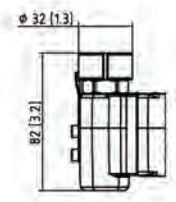
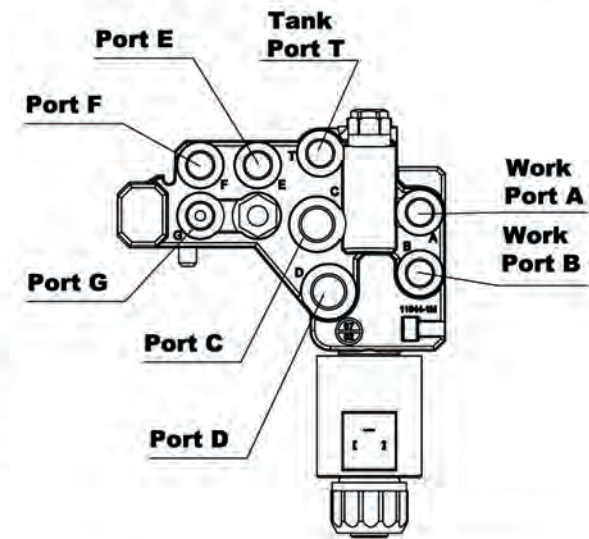


**DIMENSIONAL DRAWINGS - SVL-300**

**General Dimensional Drawing shown without Accumulator option (see inserts for options 2&3)**

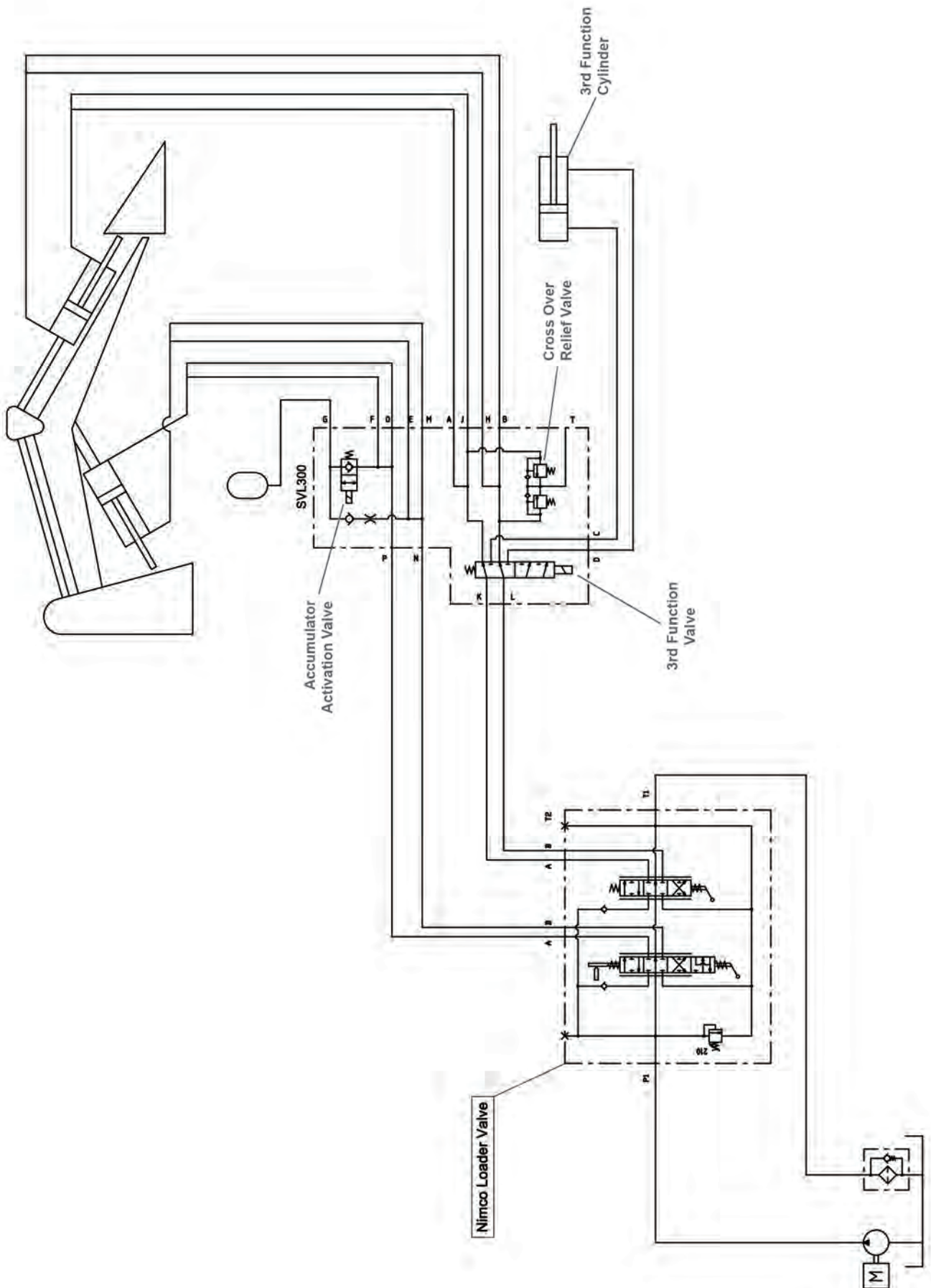
**OPTION 2**  
**Accumulator Dampening Control SVL-300-2**  
**Manually Operated Shut Off Valve**

**OPTION 3**  
**Accumulator Dampening Control SVL-300-3**  
**Solenoid Valve 12 or 24 VDC**



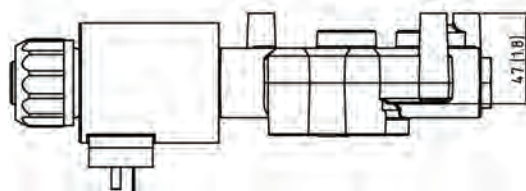
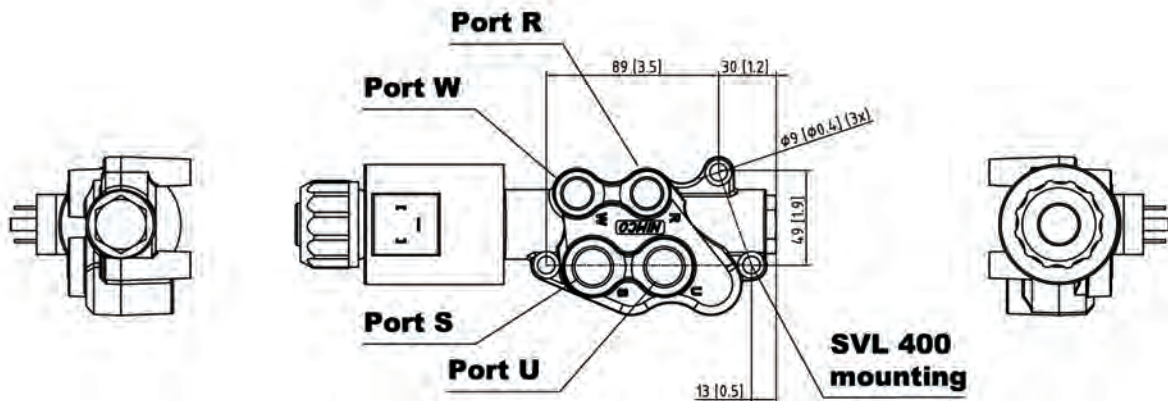
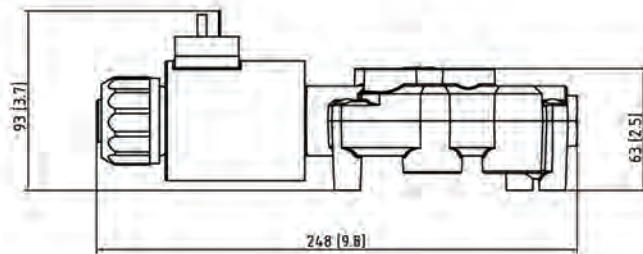
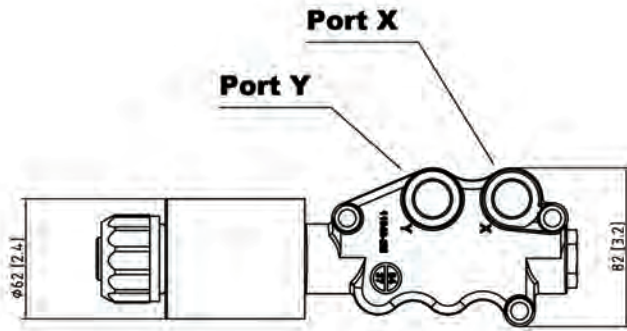
Port	Thread
Work port A, B	BSP ISO 3/8" SAE 6 M16x15
E, F, G, H, J, M, O	BSP ISO 3/8" SAE 6 M16x15
C, D, K, L, N, P	BSP ISO 1/2" SAE 8 M18x15
Tank port T	BSP ISO 3/8" SAE 6 M16x15





**DIMENSIONAL DRAWINGS - SVL-400**

4TH FUNCTION 6/2 1 2/24V CIRCUIT SELECTOR VALVE

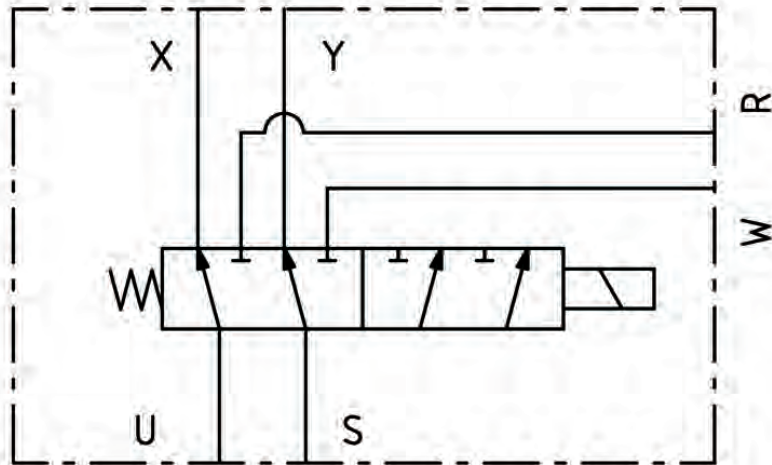


Complete SVL-401 valve with mounting bolt kit for fit-up to the SVL-300 including between valve port adaptors can be ordered as Nimco Part No. 12227-2S

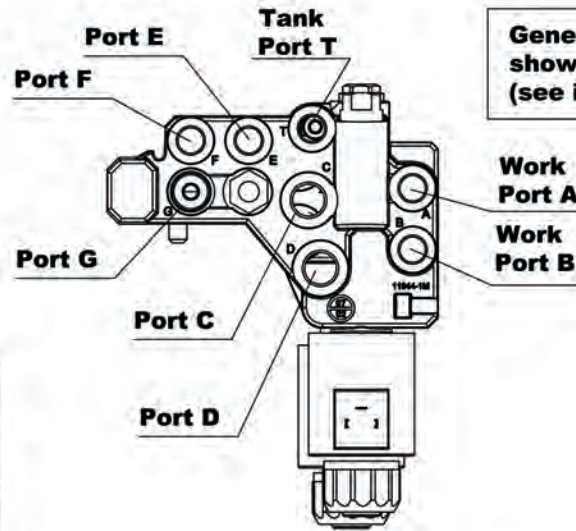
Port	Thread
R, W	BSP ISO 3/8" SAE 6 M16x15
S, U	BSP ISO 1/2" SAE 8 M18x15
X, U	φ 19 mm

# HYDRAULIC SCHEMATIC - SVL-400

4TH FUNCTION 6/2 12/24V CIRCUIT SELECTOR VALVE SCHEMATIC



**DIMENSIONAL DRAWINGS - SVL-300/400**



**OPTION 2**

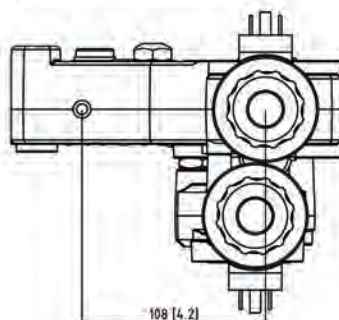
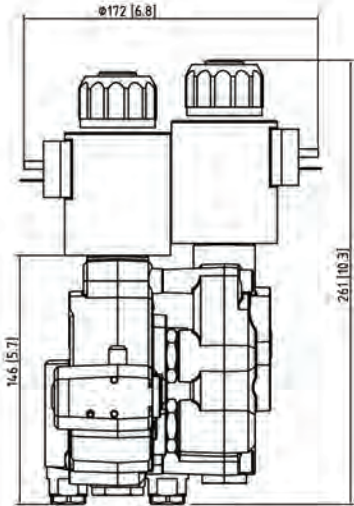
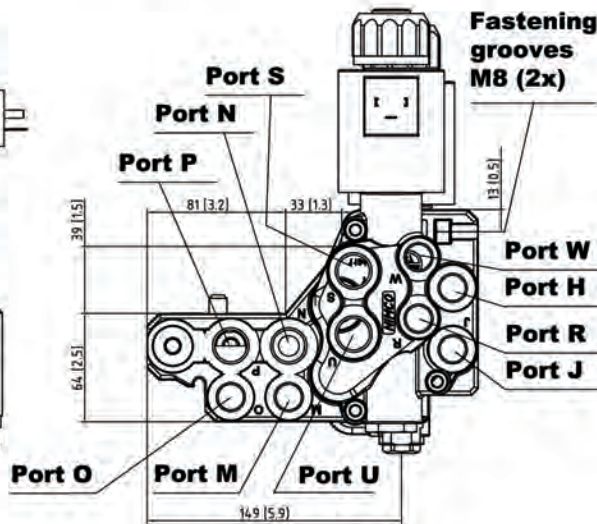
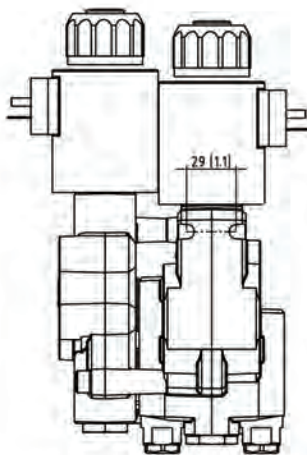
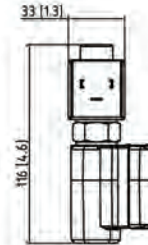
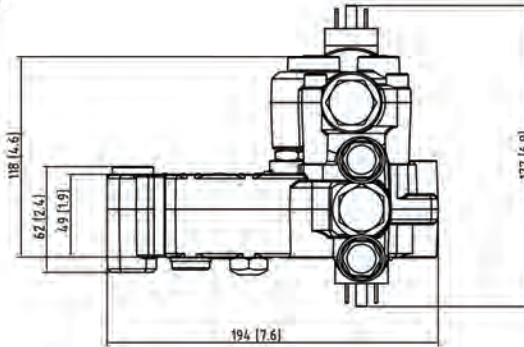
**Accumulator  
Dampening Control  
SVL-300-2**

**Manual operated  
shut off valve**

**OPTION 3**

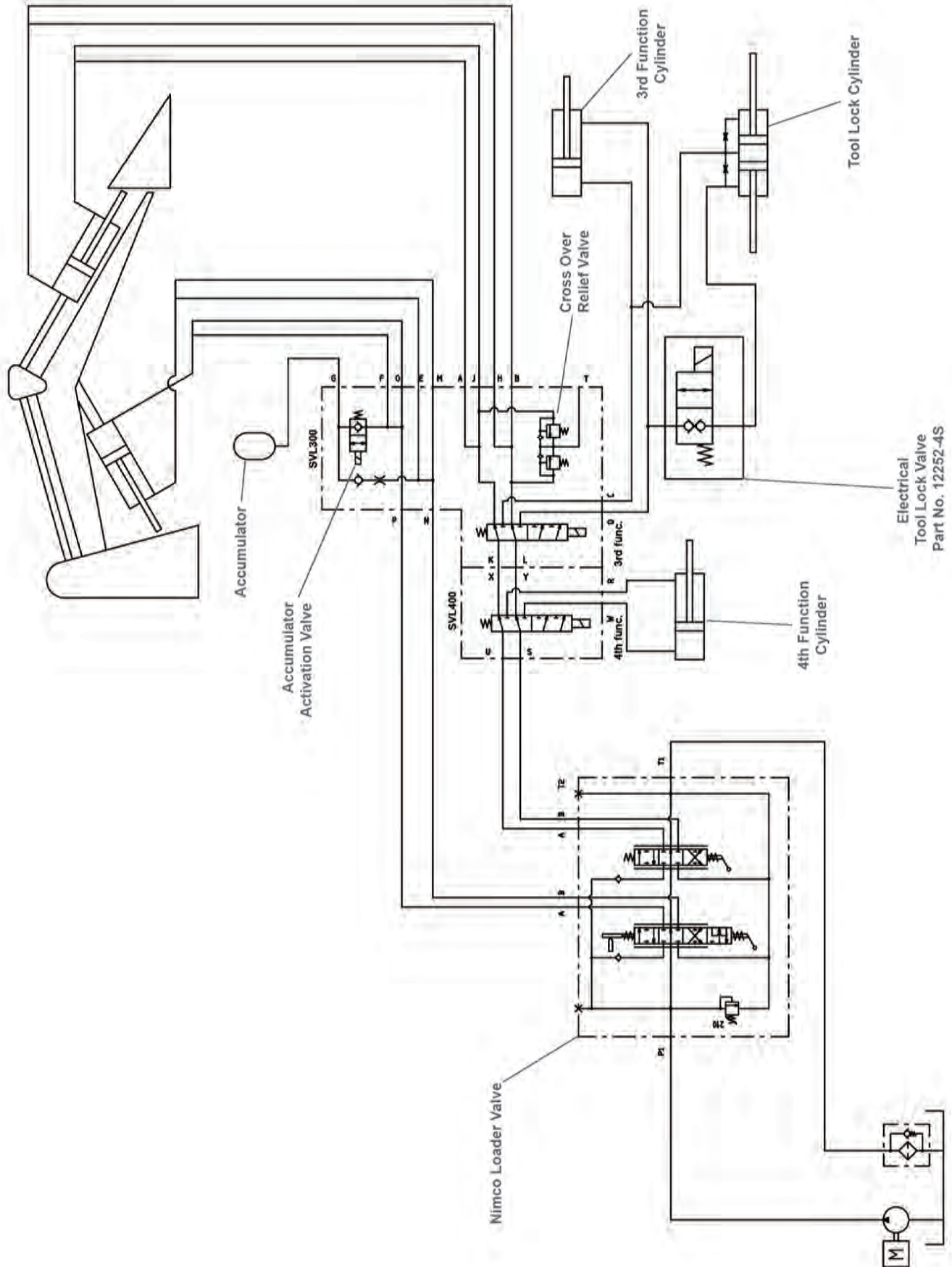
**Accumulator  
Dampening Control  
SVL-300-3**

**Solenoid Valve  
12 VDC**

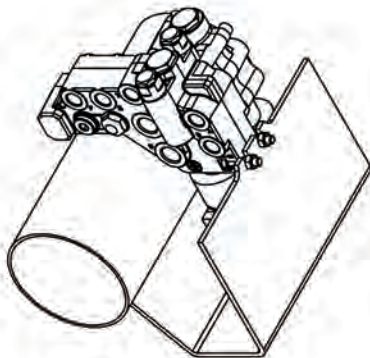
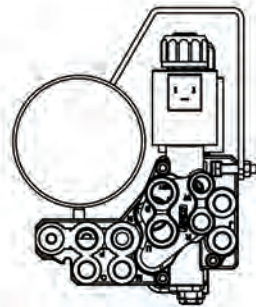
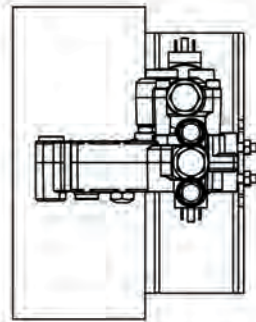
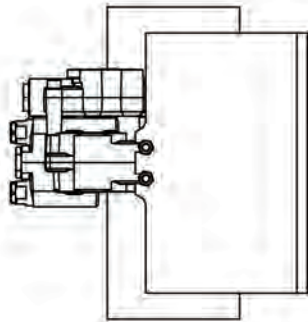
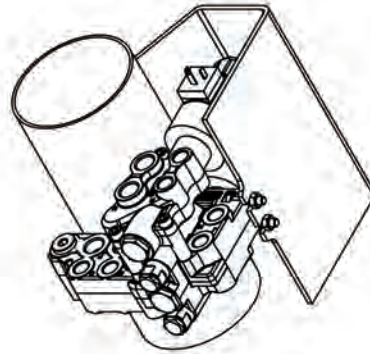


Port	Thread
Work port A, B	BSP ISO 3/8" SAE 6 M16x1,5 mm
E, F, G, H, J, M, O, R, W	BSP ISO 3/8" SAE 6 M16x1,5 mm
C, D, N, P, S, U	BSP ISO 1/2" SAE 8 M18x1,5 mm
Tank port T	BSP ISO 3/8" SAE 6 M16x1,5 mm

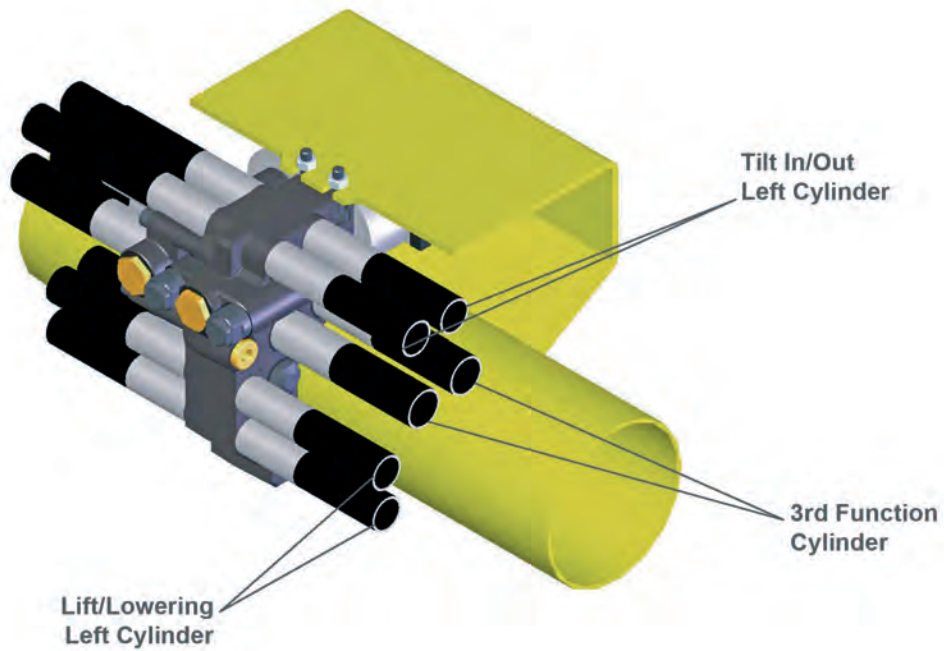
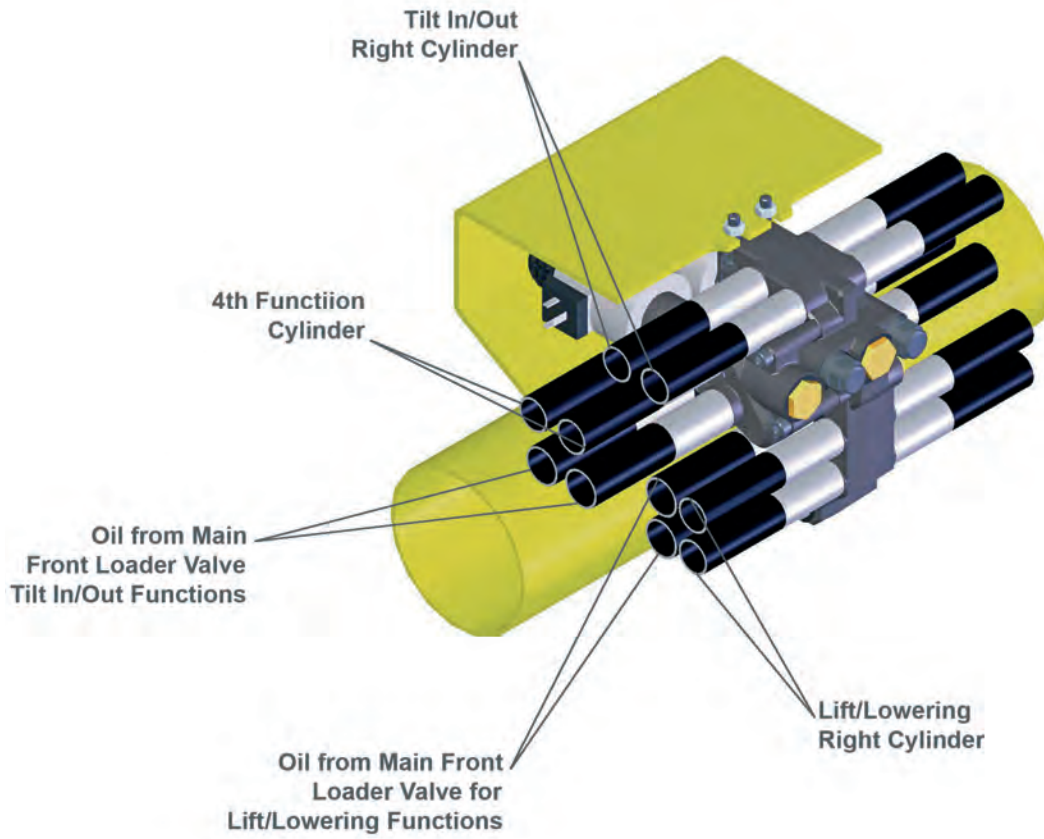
**HYDRAULIC SCHEMATIC - SVL-300/400**



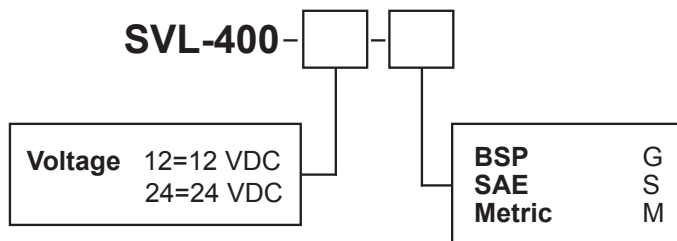
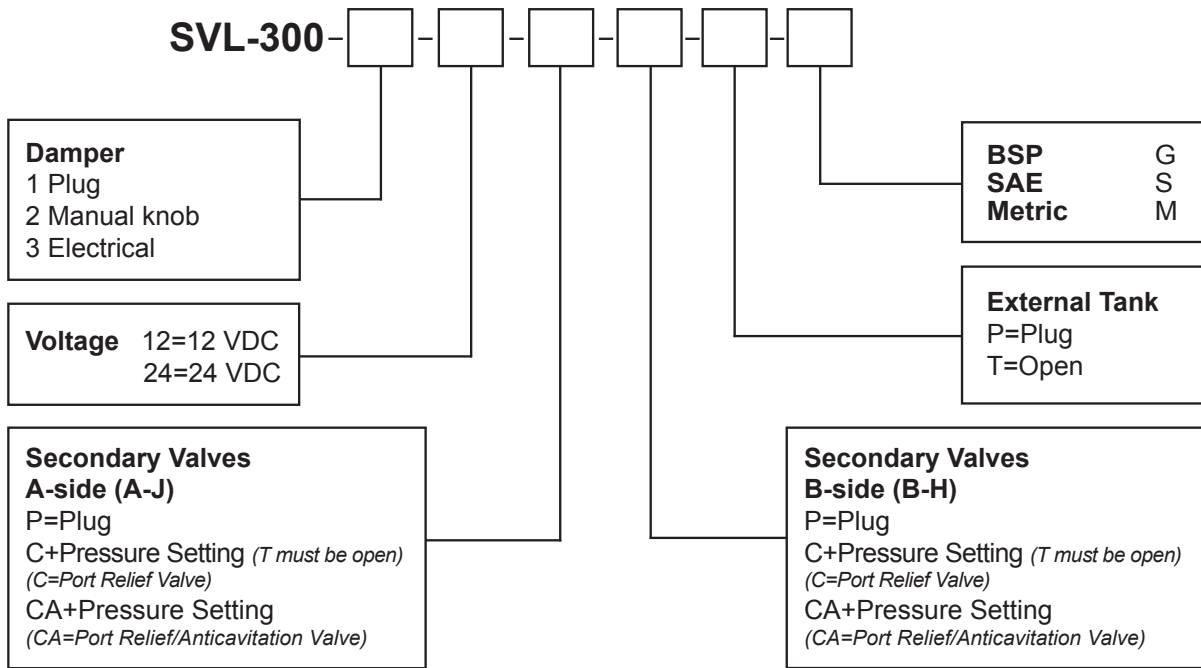
**INSTALLATION - SVL-300/400**



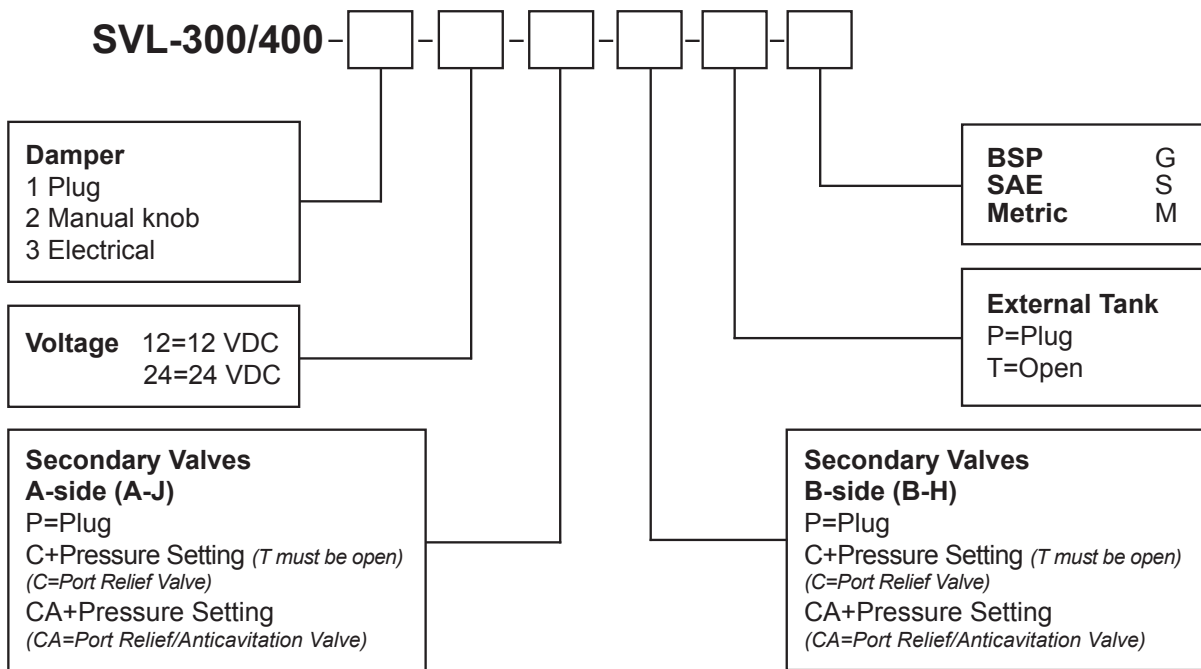
**INSTALLATION - SVL-300/400**



**ORDERING CODE**



SVL-400: The Port Adaptors and the Bolt Kit are included





WWW.NIMCO-CONTROLS.COM

# nimco

hydraulic systems

## Nimco Controls

North America & Asia  
Corporate Headquarters  
1500 S. Sylvania Avenue (USA)  
Sturtevant, WI 53177  
Phone: 262-884-0950  
salesusa@nimco.us

## Nimco Controls

Europe  
71-75 Shelton Street  
Covent Garden, London  
WC2H 9JQ United Kingdom  
Phone: +44 20 3772 4540  
saleseurope@nimco.se



- Factory
- Distributor