



CIRCUIT SELECTOR VALVES SVB-03-SVB-04



NIMCO
NIMCO
NIMCO
CONTROLS

RELIABILITY FROM QUALITY



Page 3	General Information
Page 4	Technical Data
Page 5	Dimensions and Options
Page 6-7	Valve Assembly & Schematics
Page 8	Applications and Ordering Codes

The **SVB 03 and SVB 04** stackable 6 port/2 way circuit selector valves are designed to be used when extra circuits are to be operated from one control lever on machines such as fork lift trucks, agricultural front end loader, telescopic handlers, and in transmission circuits.

Up to **3 SVB valves** can be stacked up allowing for the diverting of flow into 2, 3 or 4 directions depending on the combination chosen.

NIMCO's SVB 03 and SVB 04 circuit selector valves have been carefully designed to meet the demands of progressive machine manufacturers for cost effective, reliable circuit selectors. The valve bodies are made from a special high quality cast iron alloy which is machined, using NIMCO's advanced machining techniques, to precise tolerances, ensuring, along with the other component parts, the consistency of the finished product.

They are designed for a max. working pressure of 280 bar (4060 psi) and will accept flows up to 90 l/min (23.8 USgpm) - 1/2" ported version. The advanced design of the valve spool ensures that fast spool switching can take place under any conditions without the use of a separate drain line.

The **NIMCO circuit selector valves** are often connected to the service ports of a double acting spool valve, to allow two double acting services to be operated from the one service (see circuit 1 on page 7).

The **SVB valves** can also be used to benefit circuits where the spool valves are located a long distance from the pumps. In this case the de-energized SVB valve will return both lines to tank and, when energized, feed the circuit spool valves. This provides the advantage of minimizing the pressure drop through the system when needed, such as when transporting a machine in non-operational mode (see circuit 2 on page 7).

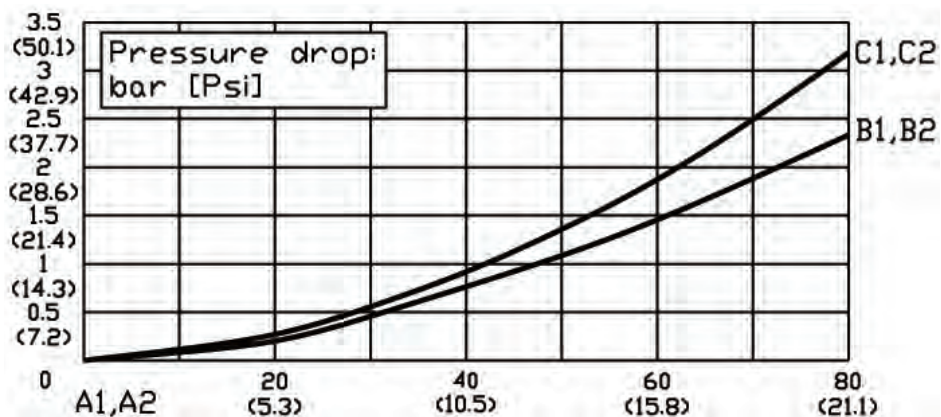
A third possibility is to use one (or two) SVB valves in a closed type hydrostatic system where one pump drives two (or three) different motors. In this instance the SVB valve will replace two (or three) directional control valves (see circuit 3 on page 7).

The **valve** is actuated from one position to the other by a constant-rated wet pin type solenoid. Solenoid operation of the valve allows it to be controlled from a switch located in a control lever handle. This allows an operator to activate an SVB selector valve quickly as part of sequence of machine operations, such as on an agricultural tractor loader switching from bucket tilt to a grab or rotator unit.

The **NIMCO SVB** valve's constant-rated wet pin solenoid is capable of switching from one circuit to another at the rated flow and pressure.

The **SVB valve** bank can be optionally equipped with a flangeable housing, containing a dual cross-over relief valve, on the outlet end of the valve, thereby protecting the motor or cylinder operated by the B ports of the last downstream valve section against excessive pressure.

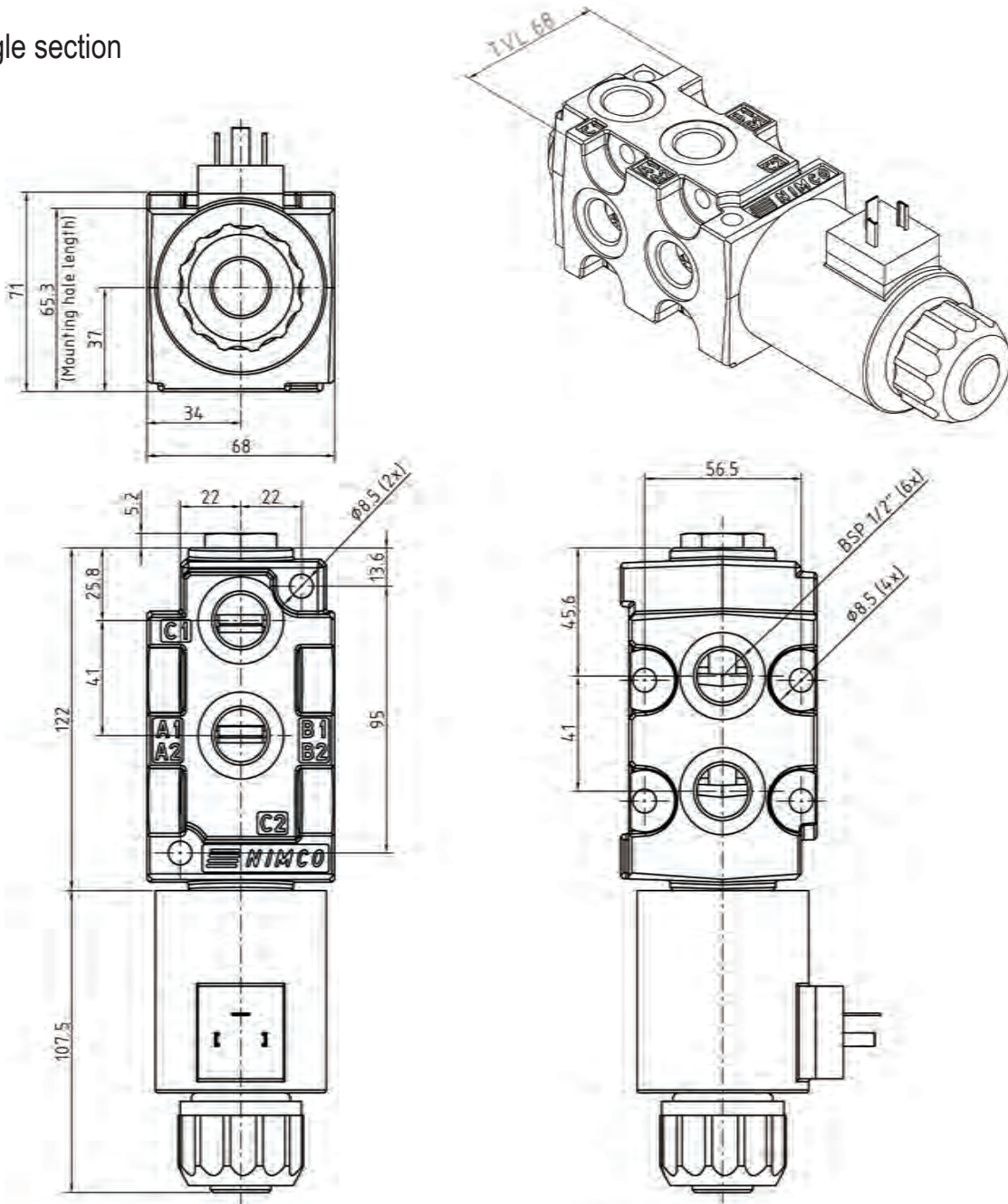
Max. working pressure	bar	psi
	280	4060
Max. nominal flow	l/min	USgpm
	90	23.8
Temperature Range	°C	°F
Standard seals	-40 to +95	-40 to +203
Spool leakage	cm³/min	inch³/min
100 bar (1450 psi) and 25 mm ² /s (cSt) (117 SSU) viscosity	2.0	0.12
Recommended filtration		
Contamination level equal to or better than	18/14 according to ISO 4406	NAS 1638-class 10
Recommended viscosity	mm²/s (cSt)	SSU
	10-400	47 - 1875
Solenoid operating power		
12 V 65 Watts		
40 V 65 Watts		
100% ED		



DIMENSIONS AND OPTIONS

1 SECTION ALLOWING FOR ONE EXTRA FUNCTION

Single section



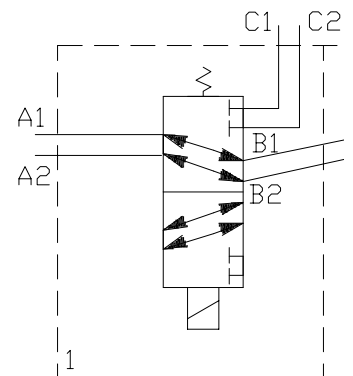
OPTIONAL THREAD SIZES

BSP	SAE	METRIC
3/8"	6	-
1/2"	8	18x1.5

TVL*

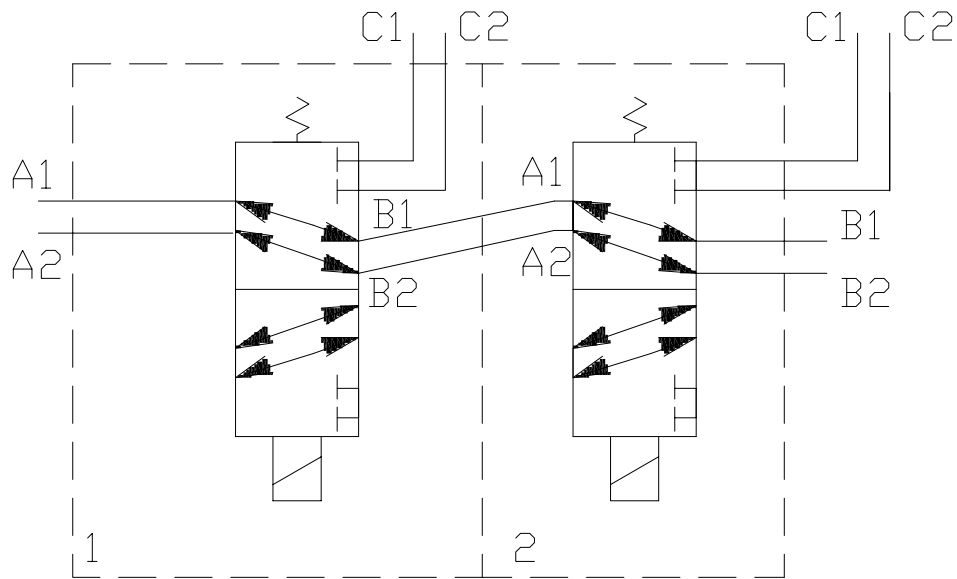
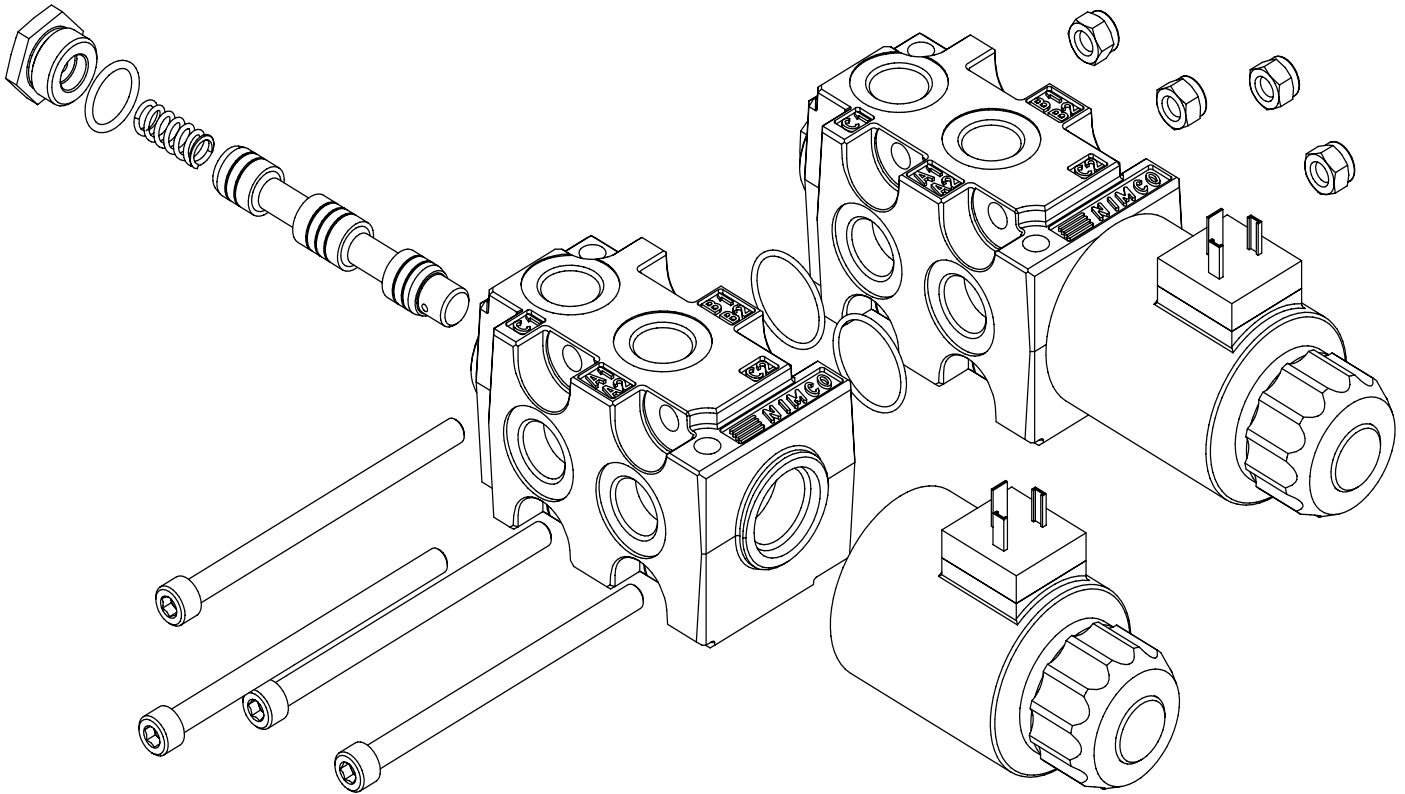
Single	Double	Triple
68	136	204

* TVL = Total Length of Valves when assembled

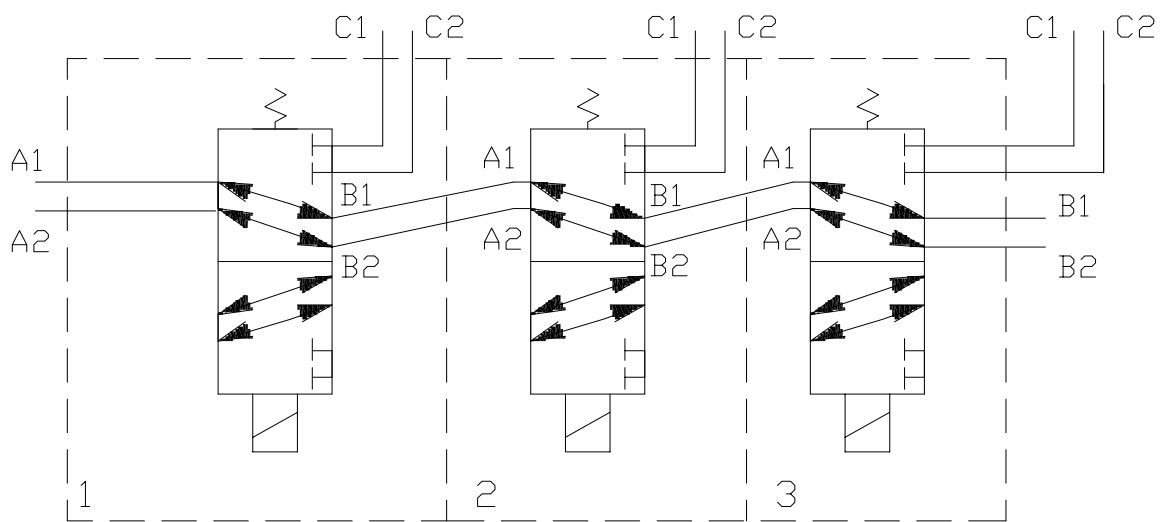
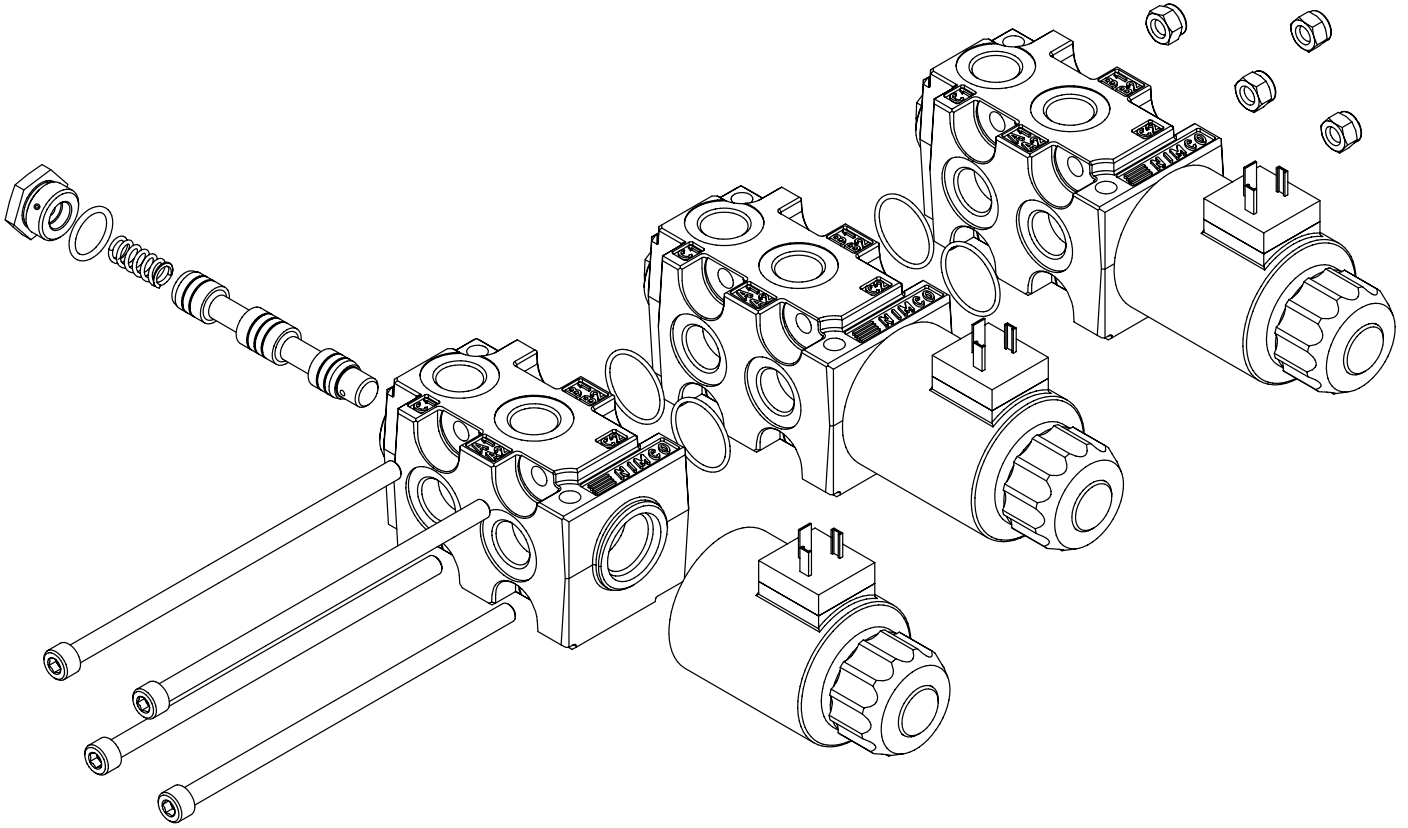


VALVE ASSEMBLY & SCHEMATICS

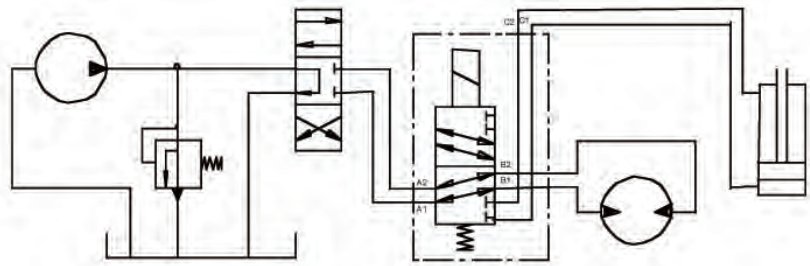
2 SECTIONS ALLOWING FOR TWO EXTRA FUNCTIONS



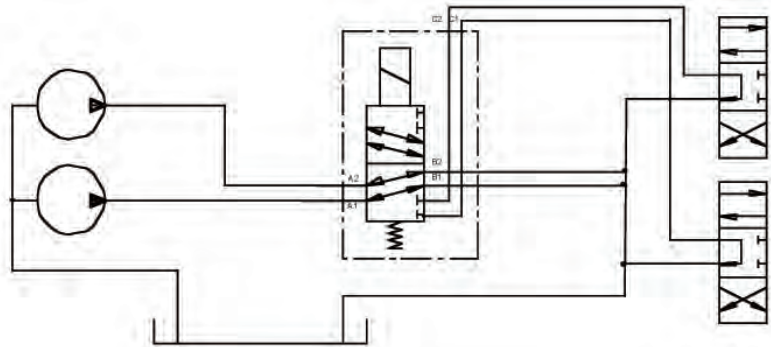
3 SECTIONS ALLOWING FOR THREE EXTRA FUNCTIONS



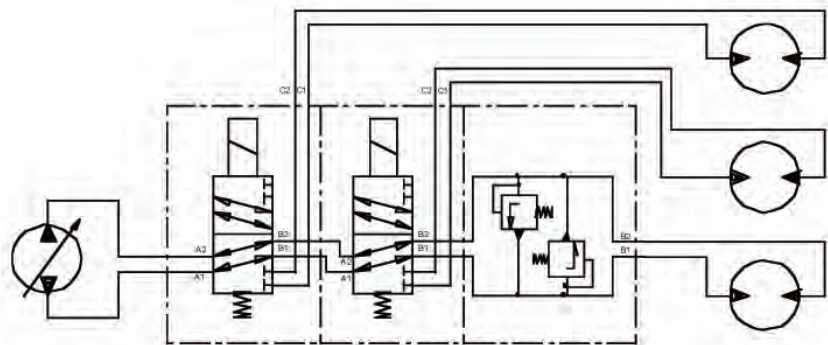
Circuit Diagram N° 1



Circuit Diagram N° 2



Circuit Diagram N° 3



Ordering Codes

Valve type	Cyl. port tThreads	Voltage	Bankable	Cross-over relief valve	Pressure setting B1	Pressure setting B2
------------	-----------------------	---------	----------	----------------------------	------------------------	------------------------

Write appropriate option codes (bold characters) in empty squares below and copy as order form!

--	--	--	--	--	--	--

Available options (select codes)

SVB	GS = G3/8" GL = G1/2" M = M18 x 1,5 S = SAE 8 3/4"-16	12 =12 V DC 24 =24 V DC	B =Yes N =No	DRV =Yes N =No	Adjustable 80-250 bar (1160-3600 psi) State setting above!	Adjustable 80-250 bar (1160-3600 psi) State setting above!
------------	---	--	-------------------------------	---------------------------------	--	--

By means of an appropriate assembly kit, the SVB03/SVB04 valves can be banked to obtain e.g. 3 ways from two valves, etc. When marking "B" in the "Bankable" ordering square, an assembly kit is automatically delivered.

WWW.NIMCO-CONTROLS.COM

nimco

hydraulic systems

Nimco Controls

North America & Asia
Corporate Headquarters
1500 S. Sylvania Avenue (USA)
Sturtevant, WI 53177
Phone: 262-884-0950
salesusa@nimcous.com

Nimco Controls

Europe
71-75 Shelton Street
Covent Garden, London
WC2H 9JQ United Kingdom
Phone: +44 20 3772 4540
saleseurope@nimco.se



- Factory
- Distributor